

# New eco-friendly

SCP\*3

CMK2

CMA2

SCM

**SCG**

SCA2

SCS2

CKV2

CAV2/  
COVPIN2

SSD2

SSG

SSD

CAT

MDC2

MVC

SMG

MSD/  
MSDG

FC\*

STK

SRL3

SRG3

SRM3

SRT3

MRL2

MRG2

SM-25

ShkAbs

FJ

FK

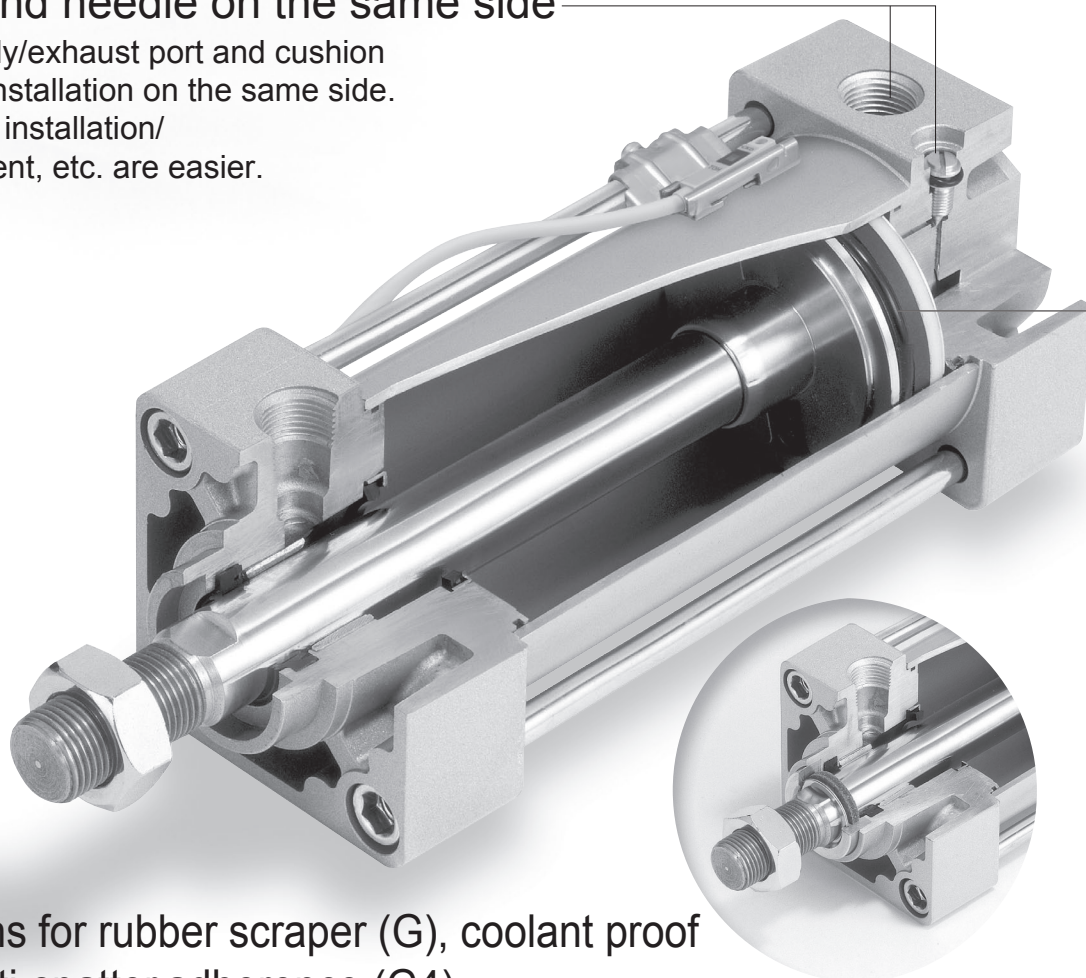
Spd  
Contr

Ending

New easy-to-use SCG Series (φ32 to φ100)

Port and needle on the same side

Air supply/exhaust port and cushion  
needle installation on the same side.  
Cylinder installation/  
adjustment, etc. are easier.



Same dimensions for rubber scraper (G), coolant proof (G2, G3) and anti-spatter adherence (G4)

The dimensions of the rubber scraper and anti-spatter adherence are the same as the standard, facilitating installation.

# RoHS

## Directive-compatible

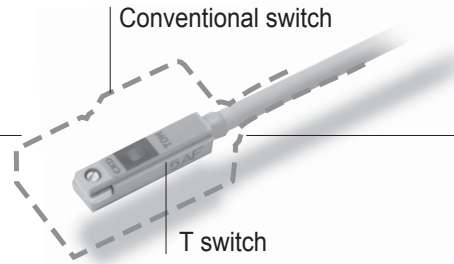
## Tie rod Cylinder

# SCG Series

# guided cylinder

## Compact switch

T switch is smaller than the conventional switch, eliminating switch protrusion in installation and saving space.

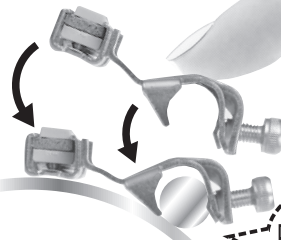


## New switch

Switches can be installed easily and smoothly with our original switch bracket.

### ① Easy switch installation

The mechanism clips the tie rod, making the switch position adjustable without supporting the switch.



### ② Fix with screws alone

Installation is completed by tightening screws after adjusting switches.

T switch in the rail is finely adjustable.



Powerful fixing

## Standard magnets

Switches can be installed on all products.

## Space-saving

Less installation space with cylinder up to 40 mm shorter than the conventional cylinder.

## White

Products match a variety of equipment with a uniform white exterior.

## SCG Series Products

	Model variation	Image	Bore size						Stroke length (mm)
			φ32	φ40	φ50	φ63	φ80	φ100	25 to 500
Standard	<b>SCG</b>		●	●	●	●	●	●	●
Position locking	<b>SCG-Q</b>		●	●	●	●	●	●	●
Low speed	<b>SCG-O</b>		●	●	●	●	●	●	●
Low friction	<b>SCG-U</b>		●	●	●	●	●	●	●
Double rod	<b>SCG-D</b>		●	●	●	●	●	●	●
Non-rotating	<b>SCG-M</b>		●	●	●	●	●	●	●
Rubber scraper	<b>SCG-G</b>		●	●	●	●	●	●	●
Coolant proof	<b>SCG-G2, G3</b>		●	●	●	●	●	●	●
Anti-spatter adherence	<b>SCG-G4</b>		●	●	●	●	●	●	●